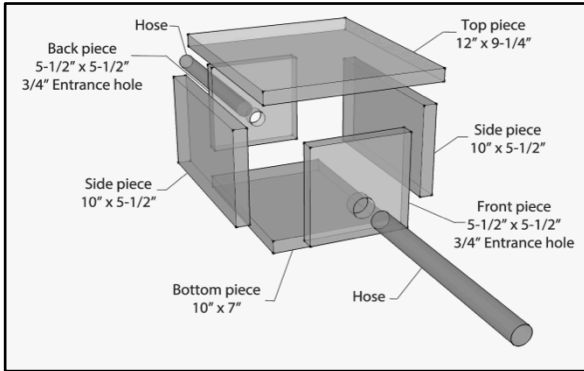
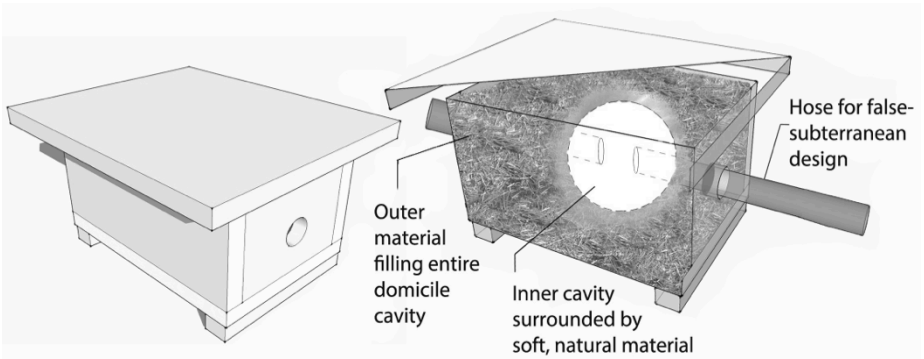


2014 Bumble Boosters Domicile Design



The 2014 Bumble Boosters Domicile design was developed from researchers' and citizen scientists' designs across the world. It is a versatile design that can be placed above ground, on the ground, or in a false-subterranean manner.

Domiciles should be built from untreated dimensional (English measurement) lumber readily available at hardware stores. Cut wood according to the dimensions above. Pieces should be secured with wood glue and screws. This will seal the domicile from moisture and minimize warping. Domiciles may be placed above ground on a post, on the ground, buried underground, or with only the entrance tubes buried (false subterranean). Tubes such as garden hose or pipe may be used in the f. subterranean design. We recommend putting a large rock or other heavy object on top to secure the lid from wind and rain.



You may paint the outside of the domicile with a low VOC paint to help minimize weathering. Bumble Bees will only nest in cavities containing insulating materials. The domicile cavity should include an outer layer of grasses/hay to line the inside of the domicile. Create a soft inner core of material using natural fibers. We suggest kapok fibers available from online sellers. The domicile cavity should be nearly completely full of insulation. Domiciles should be placed in the spring, before bumble bee queens emerge from hibernation. For information on where to place your domicile or how to modify the Bumble Boosters Domicile design, please visit www.bumbleboosters.org.